

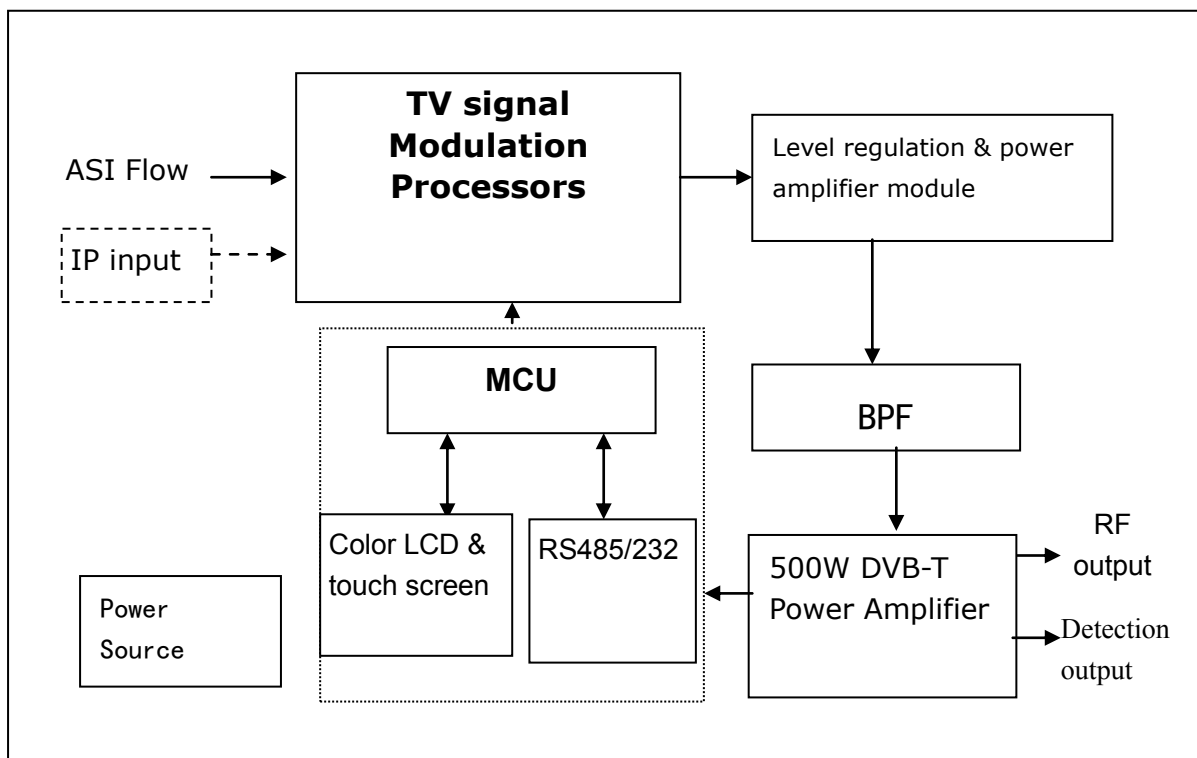
## ZHC518D-500W Digital TV Transmitter

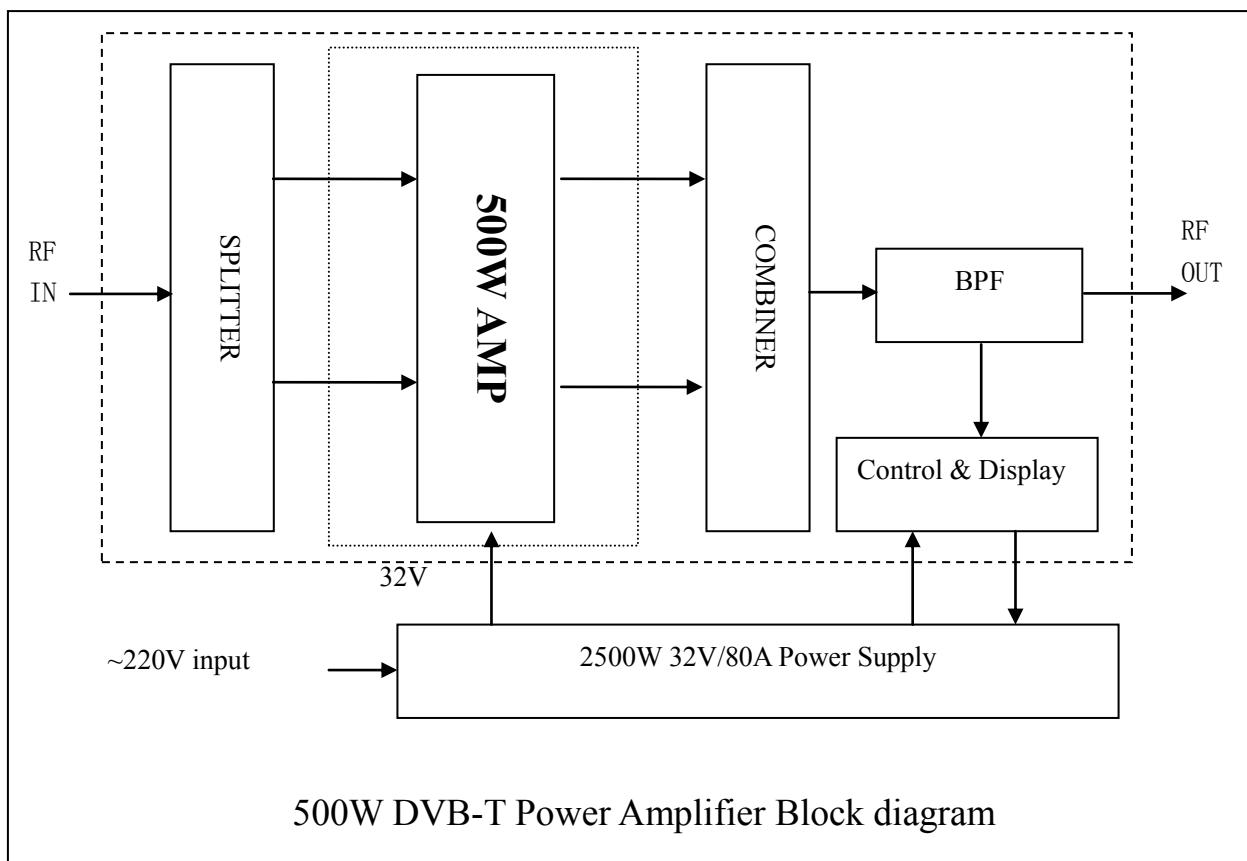


### Features:

- All solid-state digital TV transmitter, bandwidth is 6-8MHZ.
- Pre-distortion correction, dual-exciters switch automatically.
- High Linearity LDMOS Power Amplifier, high-gain power amplifier module, parallel switching power supply, it is a high-efficiency transmitter.
- Telemetry and remote control by computer, web-based interface and software.
- Good man-machine interface, full automatic switch the machine with one key.
- Multi protection (over voltage, over current, overheating, large standing-wave ratio ...)high reliability, 24 hours continuous works.
- Input ASI Flow (IP input optional)

### ZHC518D-500W Digital TV Transmitter Block Diagram





### Technical Specifications:

- |                               |   |
|-------------------------------|---|
| 1. Working frequency:         | VHF/UHF   |
| 2. Channel bandwidth:         | 8MHz  |
| 3. Output power:              | 500W  |
| 4. Output impedance:          | 50Ω   |
| 5. Output interface:          | 7/16" or 7/8" Flange                                |
| 6. Output load return loss:   | Normal operation: -32dB<br>Allowed operation: -20dB |
| 7. Power input level:         | 0dBm  |
| 8. Amplifier input impedance: | 50Ω   |
| 9. Amplifier input interface: | N"  |
| 10. Useless transmission:     | ≤ -60dB   |
| 11. Band fluctuations:        | ±0.5dB  |
| 12. Band shoulder:            | better than 36dB                                    |
| 13. MER:                      | better than 30dB                                    |
| 14. Size:                     | 820mm × 570mm × 390mm                               |
| 15. Weight:                   | 45KG  |