

# ZHC358N Network Audio Decoder



## 1. Overview

The ZHC358N network audio decoder realizes the high-quality transmission of audio signals by using [online broadcasting](#). It is especially suitable for occasions where backup audio signals are required, and can further improve the level of safe broadcasting. The device receives online broadcast programs from various radio stations, decodes and outputs analog audio and digital audio signals (AES/EBU).

The ZHC358N network audio decoder uses the [Raspberry Pi](#) as the front-end device for network audio reception. The [unbalanced analog audio](#) output by the Raspberry Pi is differentially processed and converted to IIS signals and converted to [AES signal](#) processing inside the device. Output 1 AES signal and 1 differential balanced analog audio signal.

### It has the following technical characteristics:

- The analog audio to digital audio IIS signal to AES signal circuit in ZHC358N

Tel: +86 571 82381886 Mobile: +86 135 8821 5572 Email: [INT@ZHCFM.COM](mailto:INT@ZHCFM.COM)

WEB: [WWW.ZHCFMTV.COM](http://WWW.ZHCFMTV.COM) ADDRESS: No.23 Jugong Road Hangzhou Zhejiang China 310051

network audio decoder.

- X9C103S digital potentiometer circuit.
- Analog audio unbalanced to balanced differential circuit.
- Using high-speed MCU processor control, 1602 liquid crystal display and 4-button human-computer interaction circuit and program.
- Provide remote control port
- 19-inch 1U standard chassis

## 2. Technical Specifications

### 2.1 Technical indicators

Standard output level	0.775V
Audio output impedance	600 ohms
Volume gain	-20~+6dB
Stereo separation	>=45dB
Signal to noise ratio	>=60dB
Frequency response	<0.5dB
Distortion degree	0.3%
Power supply voltage	AC180V~ AC260V 47Hz~63Hz

### 2.2 Physical characteristics

Communication interface	RS232
Chassis standard	19 inches

Tel: +86 571 82381886 Mobile: +86 135 8821 5572 Email: [INT@ZHCFM.COM](mailto:INT@ZHCFM.COM)

WEB: [WWW.ZHCFMTV.COM](http://WWW.ZHCFMTV.COM) ADDRESS: No.23 Jugong Road Hangzhou Zhejiang China 310051

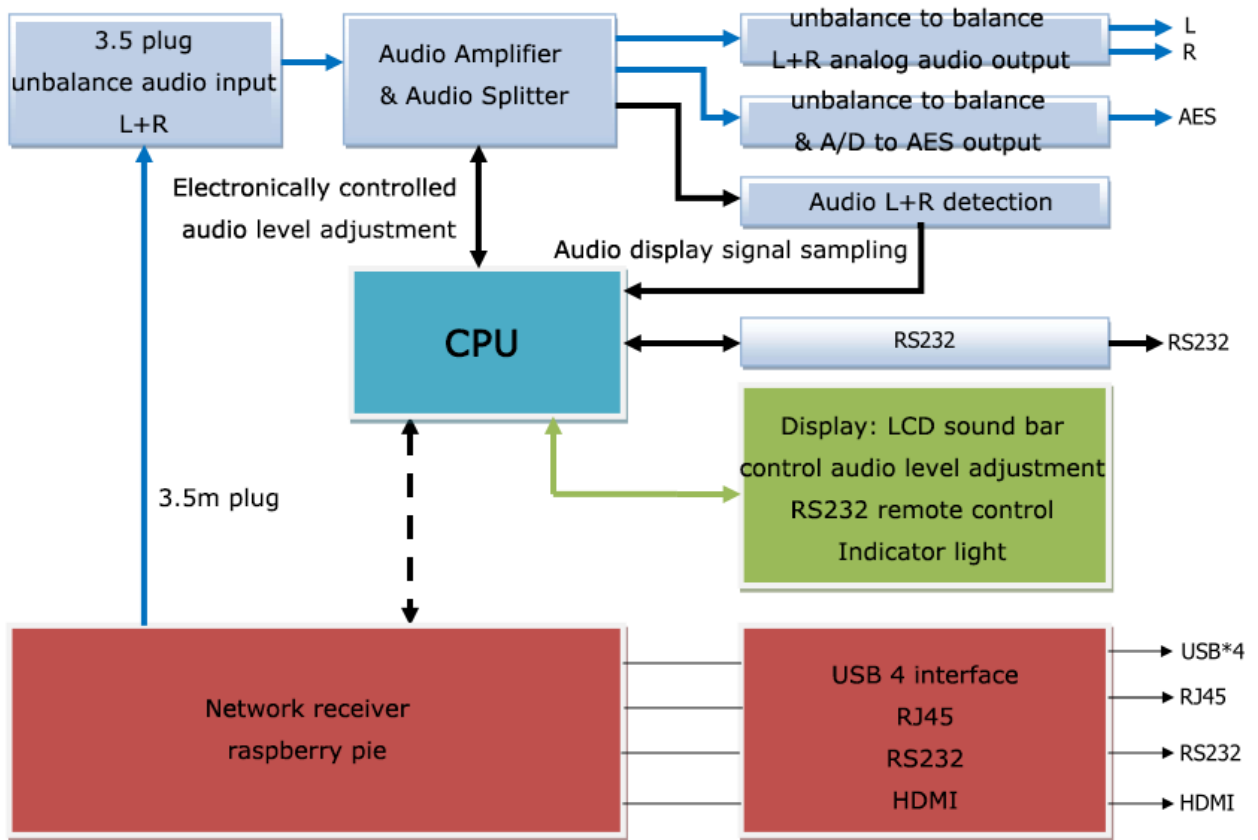
Chassis size 1U (440mm×44mm×440mm)

Operating environment temperature -5℃ ~+45℃

Relative humidity <95%

Altitude <4500m

### 3. System functional block diagram



**Functional block diagram of ZHC358N network audio decoder**