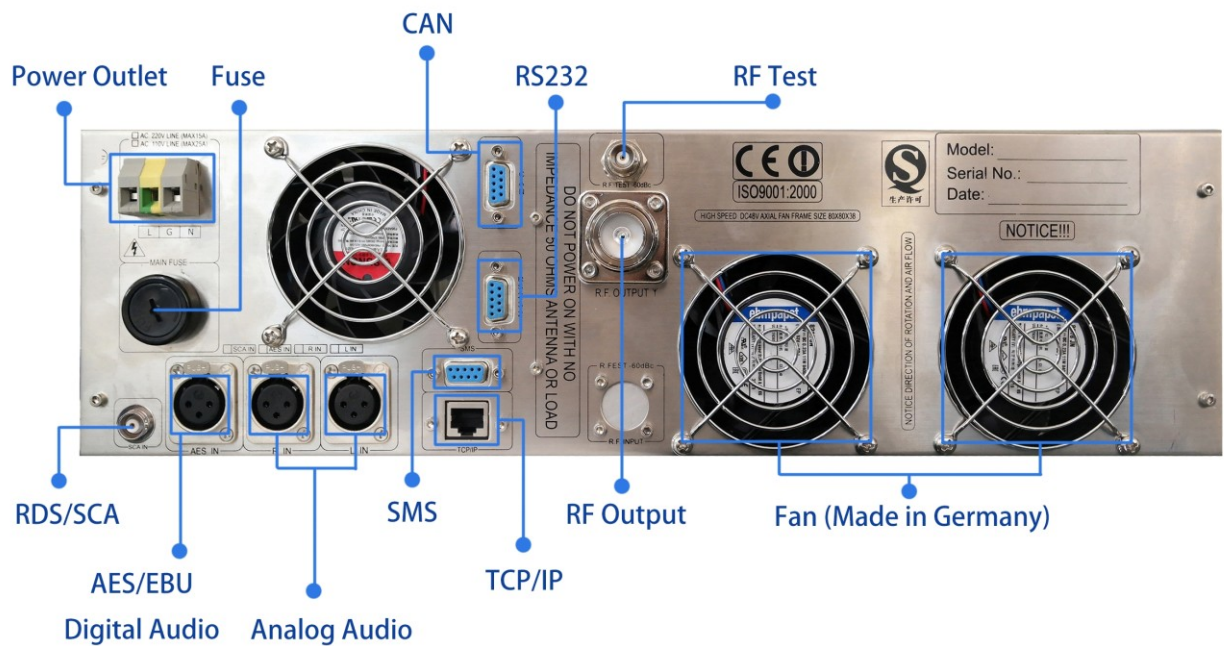
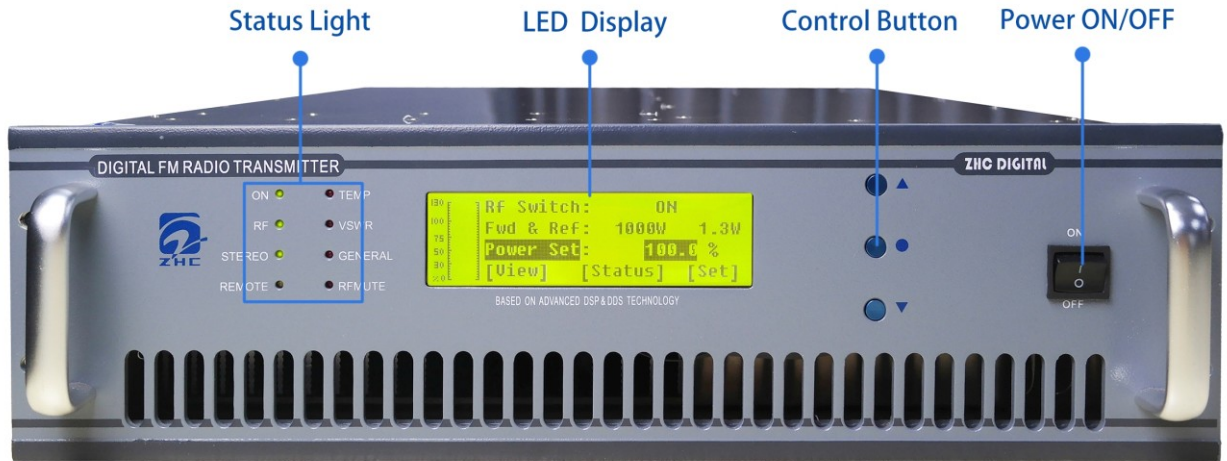


ZHC618F-1000W Compact FM Stereo Transmitter



Overview

This transmitter adopts a simple design concept. The 1KW FM stereo transmitter's exciter and power amplifier, output filter, switching power supply, etc. are installed in a 3U high 19-inch standard chassis, which reduces the common components Connection cable for higher reliability

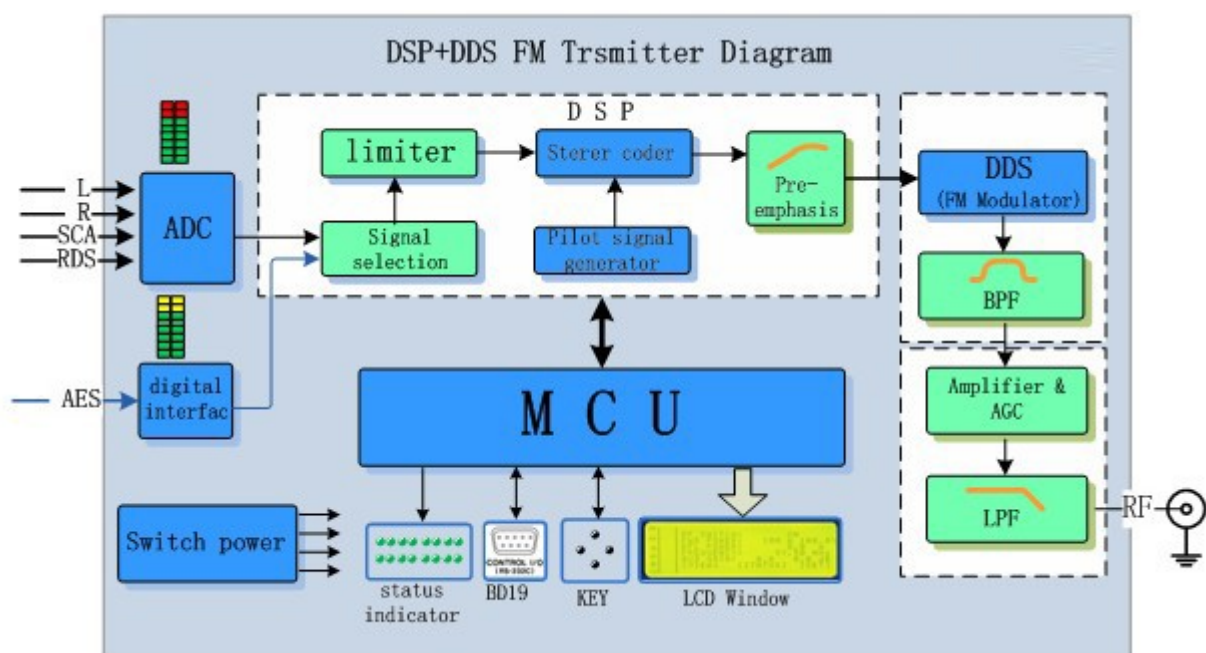
and easier operation.

It's using the latest DSP + DDS full digital technology of the stereo FM exciter, the technical specifications of the whole machine are unparalleled, achieving close to CD sound quality hearing effect. Large size radiator and 3 original German high-speed, long-life fans are used to ensure that the transmitter works at a reliable low temperature. Uses highly reliable, wide range switching power supplies. The transmitter has high reliability, high performance, easy operation and low price.

Features

1. Compact design, integrated structure, high reliability and easy operation.
2. The whole process of digital processing (DSP + DDS), to achieve the perfect hearing effect close to CD sound quality.
3. Analog audio and digital audio (AES / EBU) can be input at the same time, digital audio has priority.
4. Provide the most complete remote control telemetry interface and interface protocol.
5. Perfect alarm and protection functions for over current, over voltage, over temperature, over power, and excessive standing wave ratio.
6. Large screen LCD displays working parameters in real time.
7. With TCP / IP, SMS, RS232 communication interface, computer management and monitoring are available
8. High-quality stainless steel, 3U, 19-inch standard case.

ZHC618F-1000W FM Transmitter DIAGRAM



Technical Specifications:

1. Frequency Range:	87.0MHz~108.0MHz Setting step 10KHz
2. Output Power	0~1000W
3. Output power deviation	<± 10%
4. Output power stability	<± 3%
5. Output Load Impedance	50Ω
6. RF Output Interface	7/16"(female)/ 7/8" Flange
7. Residual wave radiation	<-70dB
8. Parasitic amplitude modulation	<-50dB
9. Carrier Frequency Precision	±200Hz
10. Analog Audio Input	-12dBm~+8dBm
11. Audio Input Level Gain	-15dB~+15dB, step 0.1dB
12. Audio Input Impedance	600Ω, Balance, XLR
13. AES / EBU input impedance	110Ω, Balance, XLR
14. AES / EBU input level	0.2 ~ 10Vpp
15. AES / EBU sample rate	30kHz ~ 96kHz
16. SCA Input	Unbalance (optional) BNC connector
17. Pre-emphasis	0μS, 50μS, 75μS (optional)
18. Audio Response	±0.1dB (30Hz~15000Hz)
19. LR channel level difference	<0.1dB (100% modulation)
20. Stereo Separation	≥50dB (30Hz ~ 15000Hz)
21. Stereo S/N ratio	≥70dB (1KHz, 100% modulation)
22. Distortion	<0.1% (30Hz~15000Hz)
23. Cooling mode	Forced Convection
24. Temperature Range:	-5℃~+45℃
25. Relative humidity	<95%
26. Working Altitude	<4500m
27. Power Consumption:	1600VA
28. Size	3U, 19-inch standard 730mm×540mm×220mm
29. Weight	36KG