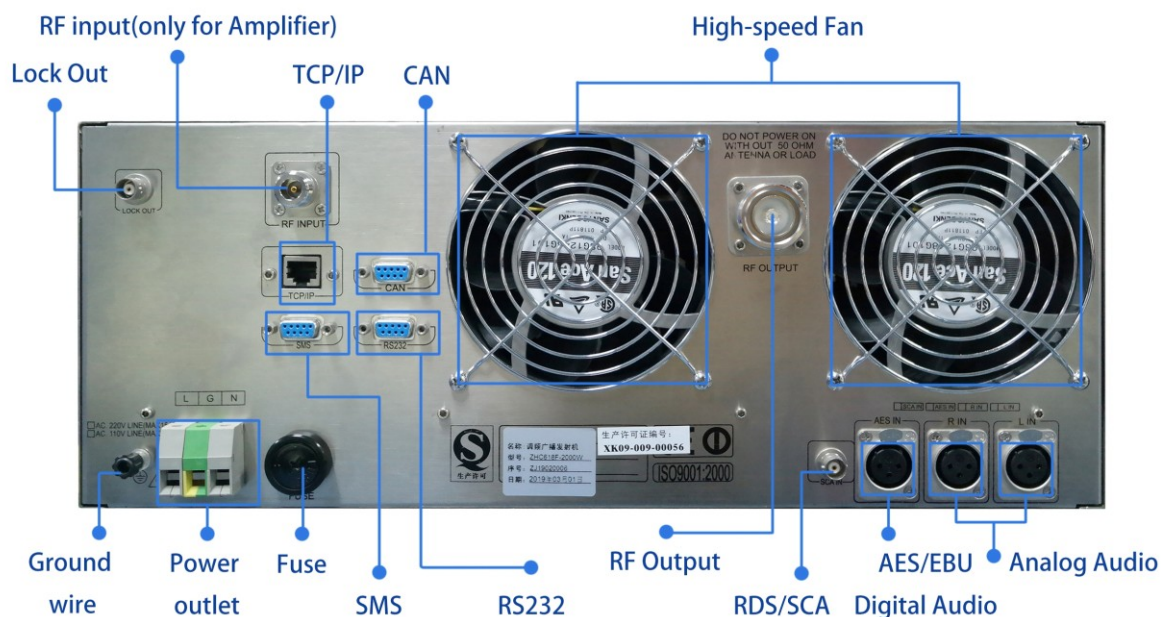
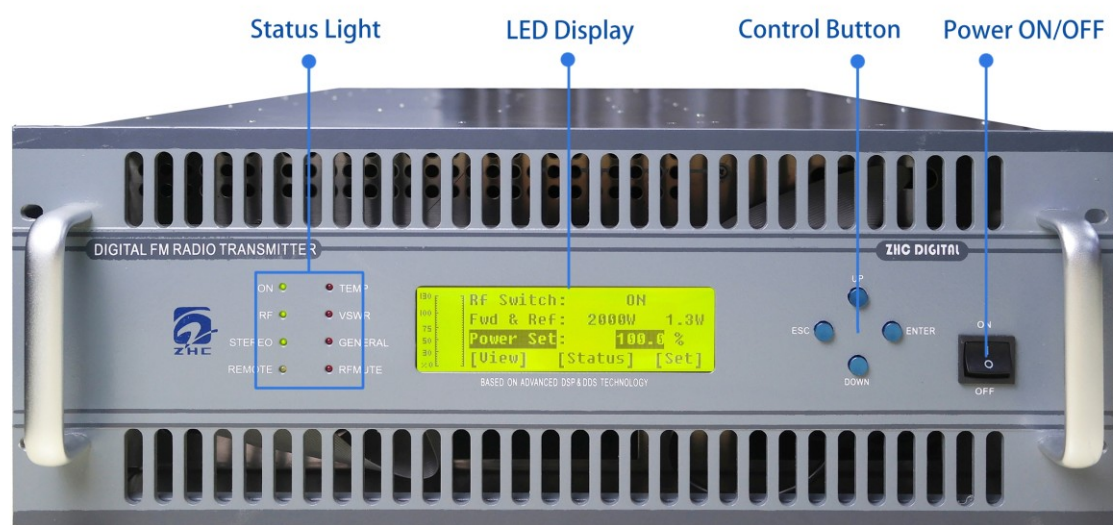


ZHC618F-2000W Compact FM Stereo Transmitter

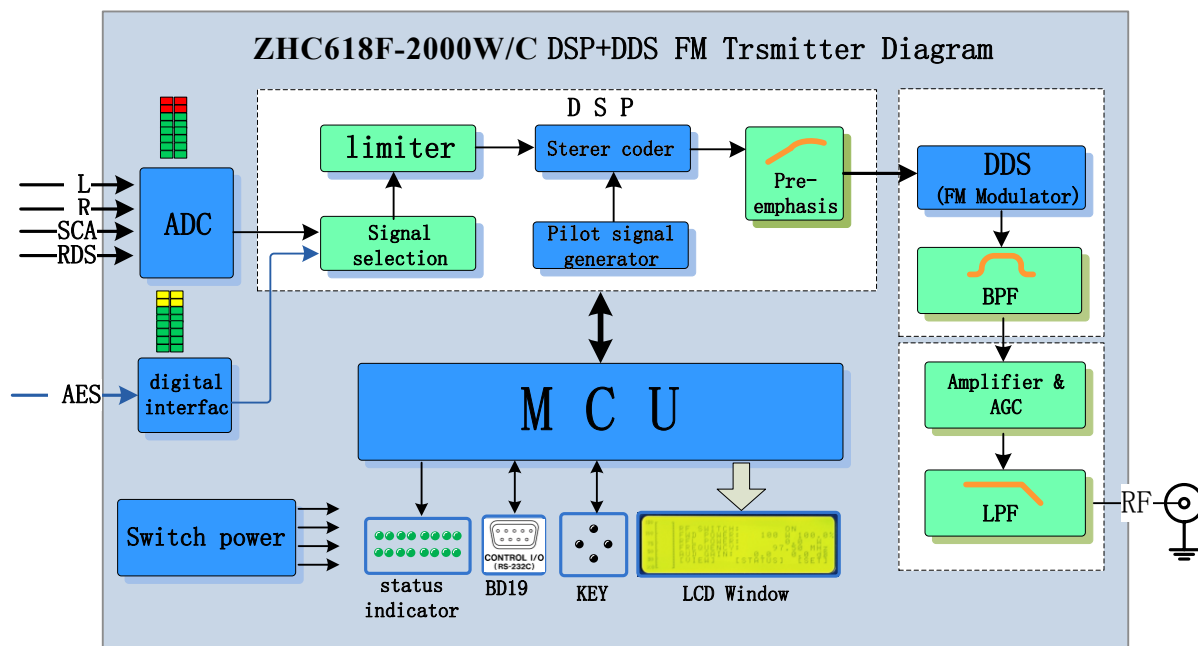
ZHC618F-2000C is a compact FM stereo broadcasting transmitters. The advanced digital technologies, Digital Signal Processor (DSP) and Digital Direct Synthesizer (DDS), are used in the transmitters to get little size, high performance and high reliability. They are widely used for professional radio stations to transmit high quality FM radio programs.



FEATURES:

1. The simple design of 2KW FM stereo transmitter, exciter, power amplifier, output filter, switching power supply, etc. are installed in a 4U high 19-inch standard chassis, reducing the connection cables between ordinary transmitter components, and more reliable High, easier operation.
2. The whole process of digital processing (DSP + DDS), to achieve the perfect hearing effect close to CD sound quality.
3. Analog audio and digital audio (AES / EBU) can be input at the same time, digital audio has priority.
4. With TCP / IP, CAN and RS232 communication interfaces and SMS cat interface.
5. Perfect alarm and protection functions for over current, over voltage, over temperature, over power, and excessive standing wave ratio.
6. Large screen LCD displays working parameters in real time.
7. Large radiator and two high-speed, long-life fans are used to ensure that the transmitter works at a reliable low temperature.
8. Use high quality, high reliability, wide range switching power supply.
9. High-quality stainless steel, 4U, 19-inch standard chassis.
10. The machine has high reliability, high performance, easy operation and low price.

ZHC618F-2000W/C FM Transmitter Diagram



Technical Specifications:

1. Frequency Range	87.0MHz~108.0MHz
2. Output Power	0~2000W
3. Output power deviation	<± 10%
4. Output power stability	<± 3%
5. Output Load Impedance	50Ω
6. RF Output Interface	7/16"(female) or 7/8"Flange
7. Residual wave radiation	<-70dBc
8. Parasitic amplitude modulation	<-50dB
9. Carrier Frequency Precision	±200Hz
10. Analog Audio Input	-12dBm~+8dBm
11. Audio Input Level Gain	-15dB~+15dB, step 0.1dB
12. Audio Input Impedance	600Ω, Balance, XLR
13. AES / EBU input impedance	110Ω, Balance, XLR
14. AES / EBU input level	0.2 ~ 10Vpp
15. AES / EBU sample rate	30kHz ~ 96kHz
16. SCA Input	Unbalance (optional) BNC connector
17. Pre-emphasis	0μS, 50μS, 75μS (optional)
18. Audio Response	±0.1dB (30Hz~15000Hz)

19. LR channel level difference	<0.1dB (100% modulation)
20. Stereo Separation	≥50dB 30Hz ~ 15000Hz
21. Stereo S/N ratio	≥70dB 1KHz, 100% modulation
22. Distortion	<0.1% 30Hz~15000Hz
23. Cooling mode	Forced Convection
24. Temperature Range:	-10°C~+45°C
25. Relative humidity	<95%
26. Working Altitude	<4500m
27. Power Consumption:	3300VA
28. Size	4U, 19-inch standard 650mm×483mm×177mm
29. Weight	45KG